

KICKER

KMC5 | *Media Center*

KMC5 ((SiriusXM))
READY

Owner's Manual | English

Manual del Propietario | Español
KMC5 Receptor Multi-Media

Benutzerhandbuch | Deutsch
KMC5 Multi-Media-Receiver

Manuel d'utilisation | Française
KMC5 Multi-Media Receiver

FCC Statement

This equipment has been tested and found to comply with the limits for a Class B digital device, pursuant to part 15 of the FCC Rules. These limits are designed to provide reasonable protection against harmful interference in a residential installation. This equipment generates, uses, and can radiate radio frequency energy and, if not installed and used in accordance with the instructions, may cause harmful interference to radio communications. However, there is no guarantee that interference will not occur in a particular installation. If this equipment does cause harmful interference to radio or television reception, which can be determined by turning the equipment off and on, the user is encouraged to try to correct the interference by one or more of the following measures:

- Reorient or relocate the receiving antenna.
- Increase the separation between the equipment and receiver.
- Connect the equipment into an outlet on a circuit different from that to which the receiver is connected.
- Consult the dealer or an experienced radio/TV technician for help.

FCC Statement

This device complies with FCC radiation exposure limits set forth for an uncontrolled environment.

This device complies with Part 15 of the FCC Rules. Operation is subject to the following two conditions: (1) this device may not cause harmful interference, and (2) this device must accept any interference received, including interference that may cause undesired operation.

The Load Equivalency Number (LEN) indicates the amount of current a device draws from the NMEA 2000 network. Each device should have an LEN specified on the product or in the product documentation. KMC5 NMEA 2000 Load Equivalency Number (LEN): 1 (50mA)

SiriusXM and all related marks and logos are trademarks of Sirius XM Radio, Inc. All rights reserved.

Caution! Any changes or modifications not expressly approved by the party responsible for compliance could void the user's authority to operate the equipment.

IC Notice - CAN ICES-3 (B) - This device complies with Industry Canada's licence-exempt RSSs. Operation is subject to the following two conditions:

(1) This device may not cause interference; and (2) This device must accept any interference, including interference that may cause undesired operation of the device.

AVIS d'Industrie Canada - Le présent appareil est conforme aux CNR d'Industrie Canada applicables aux appareils radio exempts de licence. L'exploitation est autorisée aux deux conditions suivantes :

(1) l'appareil ne doit pas produire de brouillage; (2) l'utilisateur de l'appareil doit accepter tout brouillage radioélectrique subi, même si le brouillage est susceptible d'en compromettre le fonctionnement. mauvais fonctionnement de l'appareil.

Cet appareil numérique de la classe B est conforme à la norme NMB-003 du Canada. CAN NMB-3 (B)

The device meets the exemption from the routine evaluation limits in section 2.5 of RSS 102 and compliance with RSS-102 RF exposure, users can obtain Canadian information on RF exposure and compliance.

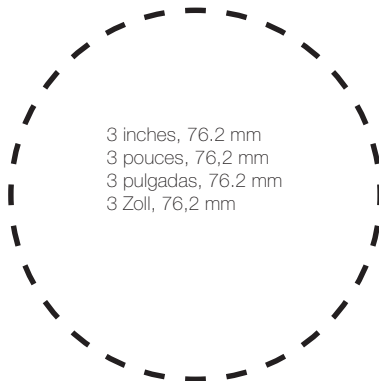
Le dispositif rencontre l'exemption des limites courantes d'évaluation dans la section 2.5 de RSS 102 et la conformité à l'exposition de RSS-102 rf, utilisateurs peut obtenir l'information canadienne sur l'exposition et la conformité de rf.

mounting hole cutout template:
3 inches, 76.2 mm

gabarit de montage trou découpé:
3 pouces, 76,2 mm

plantilla de recorte del agujero de montaje:
3 pulgadas, 76.2 mm

montageloch ausschnittschablone :
3 Zoll, 76,2 mm

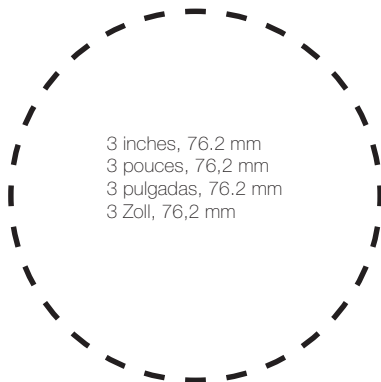


mounting hole cutout template:
3 inches, 76.2 mm

gabarit de montage trou découpé:
3 pouces, 76,2 mm

plantilla de recorte del agujero de montaje:
3 pulgadas, 76.2 mm

montageloch ausschnittschablone :
3 Zoll, 76,2 mm



Contents

Specs	5
Overview	6
Installation	7
Operation	10
Troubleshooting	13
Warranty	45

Contenu

Spécifications	25
Généralités	26
Installation	27
Utilisation	30
Dépannage	33
Garantie	45

Contenido

Especificaciones	15
Descripción general	16
Instalación	17
Funcionamiento	20
Resolución de problemas	23
Garantía	45

Inhalt

Technische Daten	35
Übersicht	36
Installation	37
Betrieb	40
Fehlersuche	43
Garantie	45

SPECIFICATIONS

<i>Model</i>	<i>KMC5</i>
Power Output @ 14.4V, 2 Ω stereo, <10% THD+N	40W x 6
Power Output @ 14.4V, 4 Ω stereo, <10% THD+N	25W x 6
Frequency Response [Hz]	20 – 20k
Signal-to-Noise Ratio [dB]	100
Pre-Amp Outputs	Front, Rear, Sub, Zone2
Input Sensitivity	Adjustable 500mV–1.5V
USB Playback	MP3/WMA/FLAC/WAV
USB Charging	DC 5V, 1A
USB Compatible File System	FAT32
IP Rating	IP66
Line-Out Level [V]	4
Outer Trim Dimensions[in, cm]	3.5 x 5.5, 8.89 x 13.97
Protrusion From Mounting Surface [in, cm]	1-5/16, 3.33
Total Mounting Depth [in, cm]	5, 12.7
Mounting Hole Diameter [in, cm]	3, 7.62

Authorized KICKER Dealer: _____

Purchase Date: _____

Serial Number: _____

Be careful not to drill into wiring or vehicle mechanisms. You are solely responsible for securely mounting the KMC5 Media Center. See page 2–3 for mounting hole cutout template.

Before installation, you may wish to plan your placement of the USB and Auxiliary inputs, and the optional KRC12 and KRC15 remotes (sold separately), for both convenience and looks!

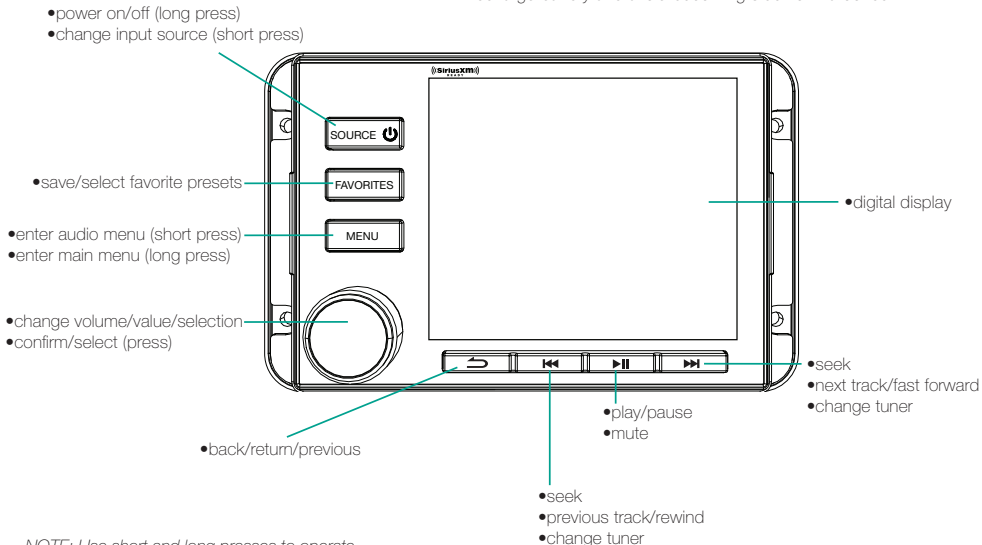
With a KICKER KXM amplifier, a pair of KICKER KM speakers, and a few KICKER cables, you're looking at a full system upgrade that will dominate! KICKER amplifiers and accessories make upgrading a snap. Ask your dealer about KICKER amplifiers and speaker upgrades to complete your system!

All specifications and performance figures are subject to change. Please visit **www.kicker.com** for the most current information.

WARNING: KICKER products are capable of producing sound levels that can permanently damage your hearing! Turning up a system to a level that has audible distortion is more damaging to your ears than listening to an undistorted system at the same volume level. The threshold of pain is always an indicator that the sound level is too loud and may permanently damage your hearing. Please use common sense when controlling volume.

OVERVIEW

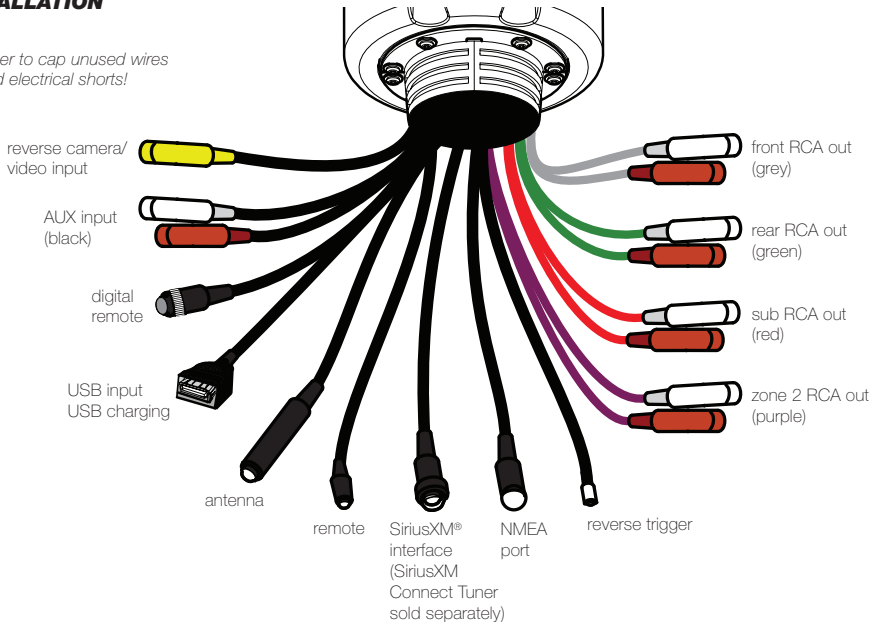
If the battery voltage is low (<+10.5V), an on-screen warning will appear.
Recharge battery and avoid becoming stuck or marooned.

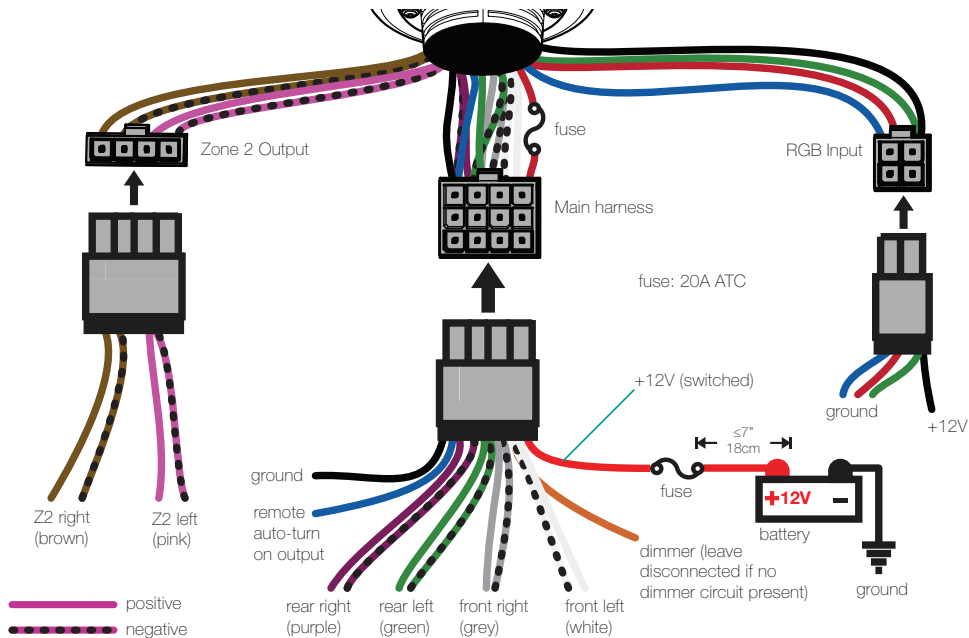


*NOTE: Use short and long presses to operate.
Some input sources do not support all functions.*

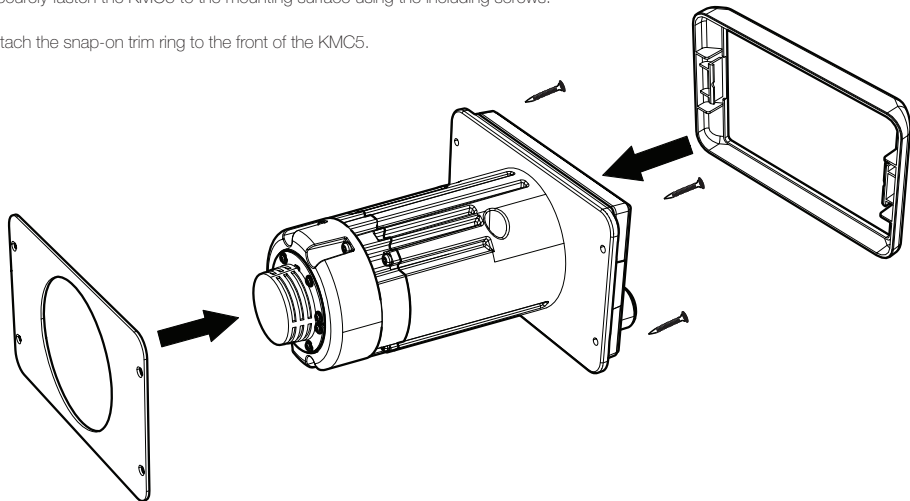
INSTALLATION

*Remember to cap unused wires
and avoid electrical shorts!*





- 1.** Remove adhesive from rear gasket and apply to the back of the KMC5.
- 2.** Securely fasten the KMC5 to the mounting surface using the including screws.
- 3.** Attach the snap-on trim ring to the front of the KMC5.



OPERATION

Playback

Use the **SOURCE** button to enter the source menu. Use the knob to choose the input source for the KMC5: Bluetooth, USB, AUX, AM, FM, WX, and SiriusXM (Requires SiriusXM Connect Tuner and Subscription, sold separately).

The KMC5 will automatically enter Bluetooth pairing mode when there is no Bluetooth connection, with the display message "In Pairing Mode". To enter pairing mode manually, choose Bluetooth input and then push the MENU button. This will enter the Bluetooth Menu. Select ENTER PAIRING MODE to begin pairing. When you begin scanning for devices on your audio device, the KMC5 will identify as "Media Center". Bluetooth Menu options include:

Select Device - view all paired devices and select one for playback

Disconnect Current Device - disconnects current device and connects to the next device on the list

Delete Device - delete paired device from list

Delete All Devices - deletes all stored Bluetooth devices and enters pairing mode

When a radio tuner input is selected, press the seek buttons to search for radio stations with adequate signal strength. To tune stations manually, press and hold the seek buttons for 2 seconds, then press them once to change frequencies. Use the **MENU** button while in WX band to turn Auto-Alerts ON/OFF for Weatherband alert messages. This will interrupt playback for emergency alerts and messages.

Set favorite presets for your favorite AM, FM, SiriusXM, and WX stations by selecting the station, pressing the **FAVORITES** button, selecting the favorite number (1–16) you wish to set, and pressing and holding the **VOLUME KNOB** for 2 seconds.

The USB input source is only available when there is a USB device connected. The KMC5 will automatically switch to USB input when a USB device is connected and detected. KICKER recommends SANDISK drives for the best performance. Drives must be formatted in FAT32 file system. USB hubs are not compatible. High-bit rate files (320kbps) may experience errors. In testing, the KMC5 has been shown to work with some HDD's and other file systems, however, this is *not supported by KICKER!* USB Menu options include:

Browse - Browses all files and folders using the knob to scroll and select tracks.

Repeat - turn Repeat ON/OFF for the current playlist or all tracks

Shuffle - turn Shuffle ON/OFF for the current playlist or all tracks *DME - digital music enhancer will enhance the sound quality of compressed audio files.*

The camera and video input may be used to connect an external camera or video source to the KMC5. The reverse trigger wire (+12v) will automatically activate the camera when the vehicle is placed in reverse. To manually activate/deactivate the video input, press and hold the **FAVORITES** button.

Device Settings

Press the **MENU** button to enter the audio settings for a selected input source. Hold the **MENU** button for 2 seconds to enter the device settings menu. The available device settings are: Loud, Area, Beep, Zone2, Z2VOL, HPF, and Dimmer. Use the **VOLUME KNOB** to change the available values for each setting.

Loudness - select On or Off for a low frequency boost

Tuner - select USA or Europe

BEEP - select whether the KMC5 responds with beeps

Zone 2 - toggles Zone 2 volume control on/off

Zone 2 Control - Allows you to select which connection is controlled by the Zone 2 volume:

Internal Power: Zone 2 channels are controlled by Zone 2 volume. Zone 2 RCA is controlled by Zone 1 volume.

Preamp: Zone 2 RCA is controlled by the Zone 2 volume. Zone 2 internal channels are controlled by Zone 1 volume.

Both: Zone 2 channels and Zone 2 RCA are controlled by Zone 2 volume.

Z2VOL - change behavior of Zone 2 volume control:

Relative: Zone 2 volume is locked to main volume.

Absolute: Zone 2 volume is adjusted independently of main volume

Naming - Change the Zone 2 name: Zone 2, Tower, Transom, Cockpit, Interior

HPF - hi-pass crossover: OFF, 50Hz, 80Hz, 120Hz

Dimmer - adjusts screen and button brightness: 0-12

Day/Night - change color scheme from Day Mode to Night Mode. KMC5 will switch automatically when lights are turned on (orange illumination wire must be connected).

Low Battery Alert - turn the Low Battery Alert ON/OFF. When set to ON, the KMC5 will activate a visual and audio alert when the voltage drops below +10.5V, indicating the battery needs to be charged.

Audio Settings

Hold the **MENU** button for 2 seconds from a source screen to enter the audio settings menu. Press the MENU button to enter the audio settings. The available audio settings are: Bass, Treble, Balance, Fader, and EQ. Use the **VOLUME KNOB** to change the available values for each setting.

Sub - adjust the subwoofer level from 0→+12

Bass - adjust the bass level from -6→+6

Mid - adjust the mid level from -6→+6

Treble - adjust the treble level from -6→+6

Balance - adjust the balance from Left 6 to Right 6

Fader - adjust the fader from Front 6 to Rear 6

EQ - select between EQ presets: OFF, ROCK, POP, JAZZ and CUSTOM

When Custom EQ is selected, press the **MENU** button to enter custom frequency adjustments for 50Hz, 125Hz, 250Hz, 500Hz, 1kHz, 3kHz, and 8kHz. To manually adjust Bass, Mid, and Treble, EQ must be set to **OFF**.

SiriusXM

After installing your SiriusXM Connect Tuner and antenna, power on the KMC5 and select SiriusXM as the input source. Channel 1, the SiriusXM preview channel, should be audible. If it is not, please refer back to the installation instructions for your SiriusXM Connect Tuner. If the preview channel is working, tune to Channel 0 to find the Radio ID of your tuner, or locate the Radio ID on the bottom of the SiriusXM Connect Tuner.

In the USA, you can activate your SiriusXM Tuner online or by calling SiriusXM Listener care:

Visit www.siriusxm.com/activatenow

Call SiriusXM Listener Care at 1-866-635-2349

For Canadian Subscriptions, please contact:

Visit www.siriusxm.ca/activatexm

Call XM customer Care at 1-877-438-9677

When the KMC5 detects that the SiriusXM Connect Tuner has received activation, it will display "Subscription Updated". The activation process can take up to an hour to complete. The KMC5 must be powered on and receiving the SiriusXM signal to receive the activation message.

Press the **MENU** button while in SiriusXM input mode to enter the SiriusXM menu.

Channel Browse - browse SiriusXM channels

Category Browse - browse SiriusXM categories for relevant channels

Direct Tuning - manually enter SiriusXM channel

Parental Controls - change access to some channels

Information - displays SiriusXM Radio ID

Reset - reset the KMC5's SiriusXM settings to factory defaults.

When choosing to enable Parental Controls for the first time, you will be prompted to enter a 4-digit passcode. (default is **0000**)

Manage Password - change/reset current passcode

Disable Parental Controls - remove all channel restrictions

TROUBLESHOOTING

SiriusXM

Check Antenna: The radio has detected a fault with the SiriusXM antenna. The antenna cable may be either disconnected or damaged.- Verify that the antenna cable is connected to the SiriusXM Connect Tuner.- Inspect the antenna cable for damage and kinks. Replace the antenna if the cable is damaged. SiriusXM products are available at your local retailer or online at www.shop.siriusxm.com

Check Tuner: The radio is having difficulty communicating with the SiriusXM Connect Tuner.- The tuner may be disconnected or damaged.- Verify that the SiriusXM Connect Tuner cable is securely connected to the radio.

Subscription Updated: The radio has detected a change in your SiriusXM subscription status. Press the knob (8) to clear the message. Visit www.siriusxm.com or call 866-635-2349 if you have questions about your subscription.

No Signal: The SiriusXM Connect Tuner is having difficulty receiving the SiriusXM satellite signal.- Verify that your vehicle is outdoors with a clear view of the sky.- Verify that the SiriusXM antenna is mounted on the outside of the vehicle.- Move the SiriusXM antenna away from any obstructions.- Inspect the antenna cable for damage and kinks.- Consult the SiriusXM Connect Tuner installation manual for more information on antenna installation. Replace the antenna if the cable is damaged. SiriusXM products are available at your local retailer or online at www.shop.siriusxm.com

Channel Not Available: The channel you have requested is not a valid SiriusXM channel or the channel that you were listening to is no longer available. You may also see this message briefly when first connecting a new SiriusXM Connect Tuner.- Visit www.siriusxm.com for more information about the SiriusXM channel lineup.

Channel Not Subscribed: The channel that you have requested is not included in your SiriusXM subscription package or the channel that you were listening to is no longer included in your SiriusXM subscription package.- Visit www.siriusxm.com or call 866-635-2349 if you have questions about your subscription package or would like to subscribe to this channel.

Channel Locked: The channel that you have requested is Locked by the radio Parental Control feature. See page 10 for more information on the Parental Control feature and how to access locked channels. Default Passcode is 0000.

If your KMC5 does not appear to be working, check the obvious things first such as blown fuses, poor or incorrect wiring connections etc. If you're using an amplifier, check for incorrect setting of crossover switches and gain controls etc.

No Power? ❶ Press the SOURCE/POWER button and make sure the KMC5 is turned on. ❷ Check the +12V power wire, ground wire, and fuse(s) for power and proper connection.

No or low output? ❶ Check the balance/fader controls on the KMC5. ❷ Check the speaker output connections. ❸ Power cycle the KMC5. ❹ Check the volume of the audio source.

Reduced volume? Reverse a speaker connection from positive to negative on the stereo channel(s); if the volume improves, the speaker was out of phase.

Buttons/Device Unresponsive? Perform Factory reset.

Factory reset: Reset the KMC5 to factory default settings by pressing and holding the **PLAY/PAUSE** button for ten seconds.

Radio stations not being received? Check the antenna for proper connection and ensure the **Tuner** setting in the menu is set to the correct region.

If you have more questions about the installation or operation of your new KICKER product, see the Authorized KICKER Dealer where you made your purchase. Please E-mail support@kicker.com or call Technical Services (405) 624-8583 for unanswered or specific questions.

ESPECIFICACIONES

Modelo	KMC5
Potencia de salida a 14.4 V, estéreo de 2 Ω , <10% THD+N	40 W x 6
Potencia de salida a 14.4 V, estéreo de 4 Ω , <10% THD+N	25 W x 6
Respuesta de frecuencia [Hz]	20 – 20k
Relación señal-ruido [dB]	100
Salidas preamplificador	Anterior, posterior, subwoofer, zona 2
Sensibilidad de entrada	Ajustable a 500 mV–1.5 V
Reproducción USB	MP3/WMA/FLAC/WAV
Carga USB	CD 5 V, 1 A
Sistema de archivos compatible con USB	FAT32
Certificación IP	IP66
Nivel de salida de línea [V]	4
Dimensiones del ajuste exterior [pulg., cm]	3.5 x 5.5, 8.89 x 13.97
Saliente desde la superficie de montaje [pulg., cm]	1 5/16, 3.33
Profundidad de instalación total [pulg., cm]	5, 12.7
Diámetro de orificio de instalación [pulg., cm]	3, 7.62

Distribuidor autorizado KICKER: _____

Fecha de compra: _____

Número de serie: _____

Asegúrese de no perforar en el cableado ni en mecanismos del vehículo. Usted es el único responsable de instalar el centro multimedia KMC5 de manera segura. Consulte la plantilla de corte de orificios de montaje de las páginas 2 y 3.

Antes de la instalación, debe planear la colocación de las entradas USB, los auxiliares y los controles remotos KRC12 y KRC15 opcionales (se venden por separado), ¡para su comodidad y por apariencia!

Con un amplificador KXM de KICKER, un par de altavoces KM de KICKER y algunos cables KICKER, ¡obtendrá una actualización del sistema que impresionará! Los amplificadores y accesorios de KICKER agilizan la actualización. Consulte a su distribuidor sobre los amplificadores KICKER y las actualizaciones de altavoces para completar su sistema.

Todas las especificaciones y cifras de desempeño están sujetas a cambio. Visite www.kicker.com para obtener la información más reciente.

ADVERTENCIA: ¡Los productos KICKER son capaces de producir niveles de sonido que pueden dañar su oído permanentemente! Subir el volumen de un sistema a un nivel que cause distorsión auditiva es más dañino para sus oídos que escuchar un sistema sin distorsión al mismo volumen. El umbral del dolor es siempre un indicador de que el nivel de sonido está demasiado alto y que pudiera dañar permanentemente su oído. Utilice el sentido común cuando controle el volumen.

DESCRIPCIÓN GENERAL

Si el voltaje de la batería es bajo (<+10.5 V), aparecerá una advertencia en pantalla. Recargue la batería para evitar interrupciones.

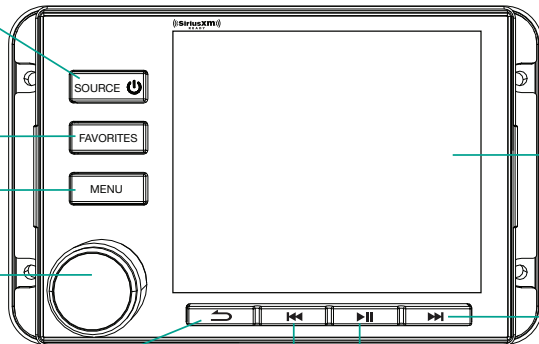
- encendido/apagado (presionar durante un tiempo prolongado)
- cambiar fuente de entrada (presionar durante un tiempo corto)

- guardar/seleccionar valores preestablecidos favoritos

- introducir en menú de audio (presionar durante un tiempo corto)
- introducir en menú principal (presionar durante un tiempo prolongado)

- cambiar volumen/valor/selección
- confirmar/seleccionar (presionar)

- atrás/volver/anterior



- pantalla digital

- buscar
- siguiente pista/adelantar
- cambiar sintonizador

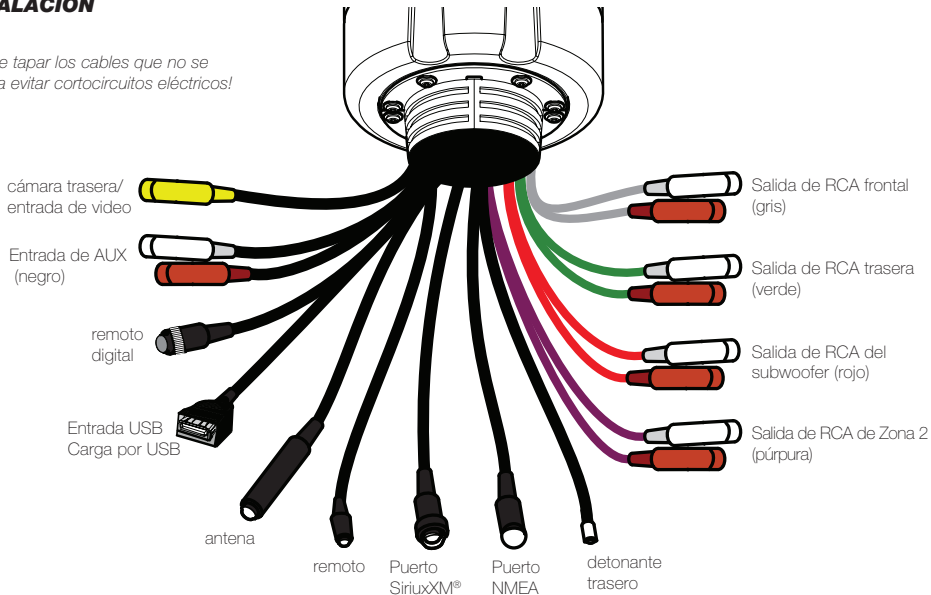
- reproducir/pausar
- modo de silencio

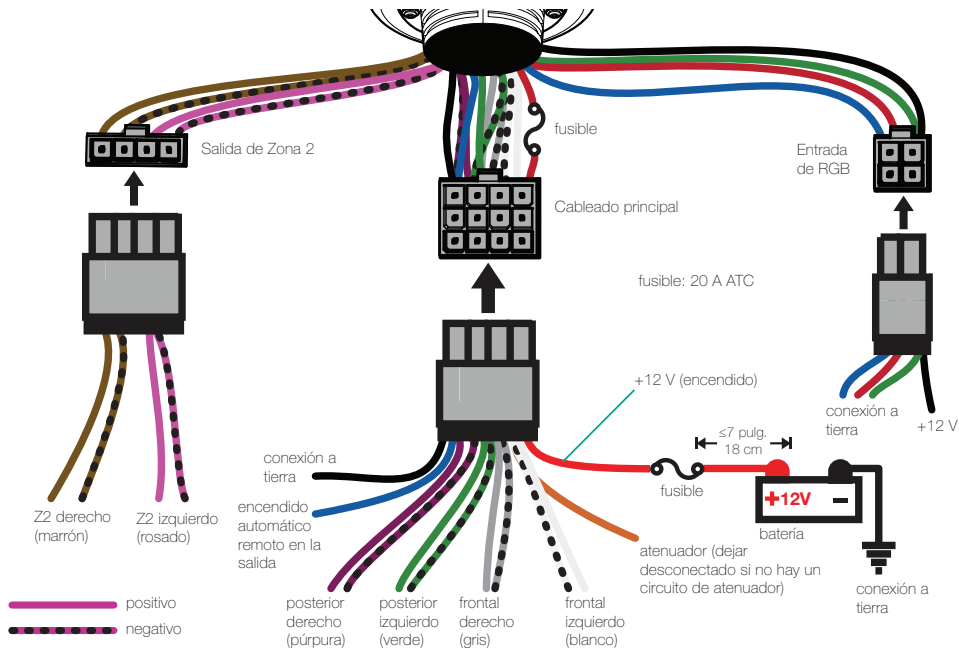
- buscar
- pista anterior/rebobinar
- cambiar sintonizador

NOTA: Para operar, presione durante tiempos cortos y prolongados.
Algunas fuentes de entrada no admiten todas las funciones.

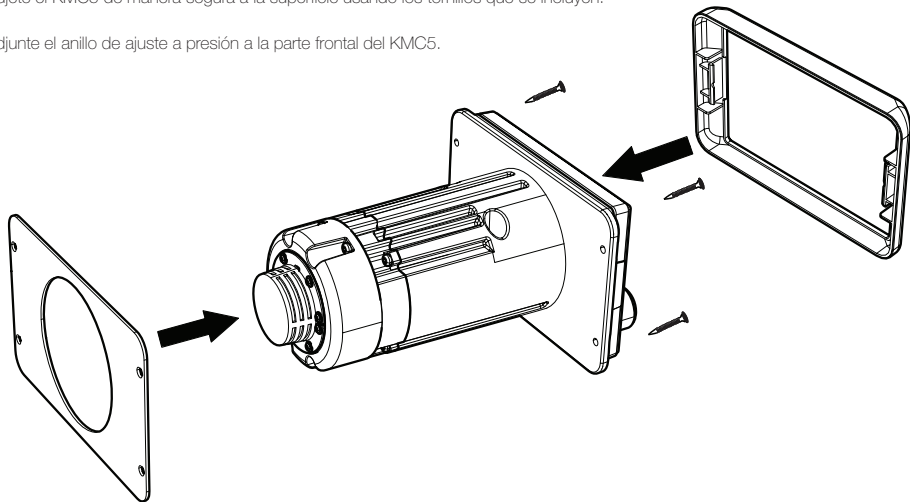
INSTALACIÓN

¡Recuerde tapar los cables que no se usen para evitar cortocircuitos eléctricos!





- 1.** Retire el adhesivo de la junta posterior y aplíquelo a la parte posterior del KMC5.
- 2.** Sujete el KMC5 de manera segura a la superficie usando los tornillos que se incluyen.
- 3.** Adjunte el anillo de ajuste a presión a la parte frontal del KMC5.



FUNCIONAMIENTO

Reproducción

Use el botón **SOURCE** (Fuente) para introducir el menú de fuente. Use la perilla para elegir la fuente de entrada para el KMC5: Bluetooth, USB, AUX, AM, FM, WX y SiriusXM.

El KMC5 pasará automáticamente a modo de sincronización de Bluetooth cuando no haya conexión de Bluetooth, con el mensaje en pantalla "En modo sincronización". Para introducir el modo sincronización manualmente, elija la entrada de Bluetooth y luego presione el botón MENU (Menú). Así, entrará al menú de Bluetooth. Seleccione ENTER PAIRING MODE (Ingresar al modo de sincronización) para comenzar la sincronización. Cuando comience a buscar dispositivos en su dispositivo de audio, el KMC5 se identificará como "Centro multimedia". Las opciones del menú de Bluetooth incluyen:

Seleccionar dispositivo: muestra todos los dispositivos sincronizados para seleccionar uno para reproducir

Eliminar dispositivo: elimina el dispositivo sincronizado de la lista

Desconectar dispositivo actual: desconecta el dispositivo actual y conecta el próximo dispositivo de la lista

Eliminar todos los dispositivos: elimina todos los dispositivos con Bluetooth almacenados y pasa al modo sincronización

Para seleccionar una entrada de sintonizador de radio, presione los botones de búsqueda para buscar estaciones de radio que tengan una potencia de señal adecuada. Para sintonizar estaciones manualmente, presione y mantenga presionados los botones de búsqueda durante dos segundos, luego presiónelos una vez para cambiar las frecuencias. Use el botón **MENU** (Menú) mientras está en la banda WX para activar/desactivar las notificaciones automáticas de mensajes de alerta de la banda meteorológica. Esto interrumpirá la reproducción para indicar alertas y mensajes de emergencia.

Para configurar sus estaciones de AM, FM, XM y WX favoritas, seleccione la estación, presione el botón **FAVORITES** (Favoritos), seleccione el número favorito (1–16) que desea asignar y presione y mantenga presionada la perilla **VOLUME** (Volumen) durante dos segundos.

La fuente de entrada USB solo está disponible cuando haya un dispositivo USB conectado. El KMC5 automáticamente cambiará a entrada USB cuando un dispositivo USB esté conectado y detectado. KICKER recomienda los controladores SANDISK para obtener el mejor rendimiento. Los controladores se deben formatear en sistemas de archivos FAT32. Los concentradores USB no son compatibles. Los archivos de alta tasa de bits (320 kbps) pueden presentar errores. En pruebas, se demostró que el KMC5 funciona con algunos discos duros y otros sistemas de archivos; no obstante, ¡esta función *no está respaldada por KICKER!* Las opciones del menú de USB incluyen:

Buscar: busca en todos los archivos y carpetas usando la para desplazarse seleccionar pistas

Orden aleatorio: se activa o desactiva para la lista de reproducción actual o para todas las pistas

Repetir: se activa o desactiva para la lista de reproducción actual y perilla o para todas las pistas

DME (optimizador de música digital): mejora la calidad del sonido de archivos de audio comprimidos.

La entrada de cámara y video puede usarse para conectar una cámara externa o una fuente de video al KMC5. El cable de activación inversa (+12 V) activará automáticamente la cámara cuando el vehículo se coloque en reversa. Para activar/desactivar manualmente la entrada de video, presione y mantenga presionado el botón **FAVORITOS** (Favoritos).

Configuraciones de dispositivos

Mantenga presionado el botón **MENU** (Menú) para ingresar al menú de configuraciones del dispositivo. Presione el botón **MENU** (Menú) para ingresar en las configuraciones de audio para una fuente de entrada seleccionada. Las opciones disponibles son: Alto, Área, Bip, Zona 2, Z2VOL, HPF y Atenuador. Use la perilla **VOLUME** (Volumen) para cambiar los valores disponibles en cada ajuste.

Alto: seleccione Encendido o Apagado para un amplificador de baja frecuencia

Sintonizador: seleccione EE. UU. o Europa

BIP: seleccione si el KMC5 responde con bips

Zona 2: alterna entre encendido y apagado del control de volumen de la Zona 2

Control de Zona 2: Le permite seleccionar qué conexión controla el volumen de la Zona 2:

Energía interna: los canales de la Zona son controlados por el volumen de la Zona 2. RCA de Zona 2 es controlado por el volumen de la Zona 1.

Preamplificador: el RCA de la Zona 2 es controlado por el volumen de la Zona 2. Los canales internos de la Zona 2 son controlados por el volumen de la Zona 1.

Ambos: los canales de la Zona 2 y el RCA de la Zona 2 son controlados por el volumen de la Zona 2.

Z2VOL: cambia el comportamiento del control de volumen de la Zona 2:

Relativo: el volumen de la Zona 2 se bloquea en el volumen principal.

Absoluto: el volumen de la Zona 2 se ajusta de manera independiente del volumen principal

Asignación de nombres: cambia el nombre de la Zona 2: Zona 2, Torre, Popa, Cabina, Interior

HPF (divisor de frecuencia de paso alto): apagado, 50 Hz, 80 Hz, 120 Hz *Atenuador:* ajusta el brillo de la pantalla y los botones, 0 a 12

Día/noche: cambia la combinación de colores del modo Día al modo Noche. KMC5 cambiará automáticamente cuando las luces se encienden (debe estar conectado el cable naranja de iluminación).

Alerta de batería baja: activa/desactiva el alerta de batería baja. Cuando se ajusta en ON (Activado), el KMC5 activará una alerta visual y auditiva cuando el voltaje baje a menos de +10.5 V, lo que indica que la batería debe cargarse.

Configuraciones de audio

Presione el botón MENU (Menú) para ingresar en las configuraciones de audio. Mantenga presionado el botón **MENU** (Menú) en una pantalla fuente durante dos segundos para ingresar al menú de configuraciones de audio. Las opciones disponibles son: Bajo, Agudo, Balance, Atenuador y Ecuador. Use la perilla **VOLUME** (Volumen) para cambiar los valores disponibles para cada ajuste.

Subwoofer: ajusta el nivel del subwoofer de 0 a +12

Bajos: ajusta el nivel de bajos de -6 a +6

Medios: ajusta el nivel medios de -6 a +6

Agudos: ajusta el nivel de agudos de -6 a +6

Balance: ajusta el balance de 6 izquierda a 6 derecha

Atenuador: ajusta el atenuador de 6 delantero a 6 trasero

Ecuador: selecciona entre ajustes preestablecidos del ecualizador: APAGADO, ROCK, POP, JAZZ y PERSONALIZADO

Cuando selecciona Ecuador Personalizado, presione el botón **MENU** (Menú) para introducir los ajustes de frecuencia personalizados para 50 Hz, 125 Hz, 250 Hz, 500 Hz, 1 kHz, 3 kHz y 8 kHz. Para ajustar manualmente los Bajos, Medios y Agudos, el Ecuador debe estar en **OFF** (Apagado).

SiriusXM

Después de instalar el sintonizador y la antena SiriusXM Connect, encienda el KMC5 y seleccione SiriusXM como fuente de entrada. Debería poder escuchar el canal 1, el canal de vista previa de SiriusXM. Si no es así, consulte las instrucciones de instalación del sintonizador SiriusXM Connect. Si el canal de vista previa funciona, sintonice el Canal 0 para encontrar la ID de radio del sintonizador o ubique la ID de radio en la parte inferior del sintonizador SiriusXM Connect.

En los EE. UU., puede activar en línea o llamando al servicio de atención a oyentes de SiriusXM:

Visite www.siriusxm.com/activatenow

Llame al Servicio de atención a oyentes de SiriusXM al 1-866-635-2349

Para suscripciones canadienses, comuníquese con:

Visite www.siriusxm.ca/activatexm

Llame al Servicio de atención al cliente de XM al 1-877-438-9677

Cuando el KMC5 detecta que el sintonizador SiriusXM Connect ha recibido la activación, mostrará "Suscripción actualizada". El proceso de activación puede demorar hasta una hora en completarse. El KMC5 debe tener energía y debe estar recibiendo la señal de SiriusXM para recibir el mensaje de activación.

Presione el botón **MENU** (Menú) mientras esté en el modo de entrada de SiriusXM para ingresar en el menú de SiriusXM.

Búsqueda de canales: busca canales de SiriusXM

Búsqueda de categorías: busca categorías SiriusXM para canales relevantes

Sintonización directa: permite introducir manualmente el canal de SiriusXM

Controles parentales: elimina el acceso a algunos canales

Información: muestra la ID de la radio SiriusXM

Configuración de fábrica: vuelve las configuraciones de SiriusXM del KMC5 a los valores de fábrica.

Al habilitar los Controles parentales por primera vez, se le pedirá que introduzca un código de acceso de 4 dígitos. (El código predeterminado es **0000**)

Administrar contraseñas: cambia/restablece la contraseña actual

Desactivar Controles parentales: elimina todas las restricciones de canales

RESOLUCIÓN DE PROBLEMAS

SiriusXM

Verificar la antena: La radio ha detectado una falla en la antena SiriusXM. El cable de la antena puede estar desconectado o dañado.- Verifique que el cable de la antena esté conectado al sintonizador SiriusXM Connect.- Revise si el cable de la antena está dañado o torcido. Reemplace la antena si el cable está dañado. Los productos SiriusXM están disponibles en su tienda local o en línea en www.shop.siriusxm.com

Verificar el sintonizador: La radio tiene dificultades para comunicarse con el sintonizador SiriusXM Connect.- El sintonizador puede estar desconectado o dañado.- Verifique que el cable del sintonizador SiriusXM Connect esté conectado a la radio de manera segura.

Actualización de la suscripción: La radio ha detectado un cambio en el estado de su suscripción a SiriusXM. Presione el botón (8) para borrar el mensaje. Visite www.siriusxm.com o llame al 866-635-2349 si tiene alguna duda sobre su suscripción.

Sin señal: El sintonizador SiriusXM Connect presenta dificultades para recibir la señal satelital de SiriusXM.- Verifique que su vehículo se encuentre en el exterior con una visión clara del cielo.- Verifique que la antena SiriusXM esté instalada en la parte exterior del vehículo.- Mantenga la antena SiriusXM lejos de cualquier obstrucción.- Revise si el cable de la antena está dañado o torcido.- Consulte el manual de instalación del sintonizador SiriusXM Connect para obtener más información sobre cómo instalar la antena. Reemplace la antena si el cable está dañado. Los productos SiriusXM están disponibles en su tienda local o en línea en www.shop.siriusxm.com

Canal no disponible: El canal que ha solicitado no es un canal de SiriusXM válido, o el canal que estaba escuchando ya no está disponible. También es posible que vea este mensaje brevemente cuando conecte por primera vez un nuevo sintonizador SiriusXM Connect.- Visite www.siriusxm.com para obtener más información sobre la línea de canales SiriusXM.

Canal no suscripto: El canal que ha solicitado no está incluido en su paquete de suscripción a SiriusXM, o el canal que estaba escuchando ya no está incluido en su paquete de suscripción a SiriusXM.- Visite www.siriusxm.com o llame al 866-635-2349 si tiene alguna duda sobre su paquete de suscripción o si desea suscribirse a este canal.

Canal bloqueado: El canal que ha solicitado se encuentra bloqueado por la función de Control parental de la radio. Consulte la página 10 para obtener más información sobre la función de Control parental y cómo acceder a canales bloqueados. El código de acceso predeterminado es 0000.

Si el KMC5 no funciona, verifique elementos obvios como fusibles fundidos, conexiones de cableado incorrectas o precarias, etc. Si utiliza un amplificador, verifique si se configuraron incorrectamente los interruptores de frecuencia y controles de ganancias, etc.

¿Sin energía? ❶ Presione el botón SOURCE/POWER (Fuente/Encendido) y asegúrese de que el KMC5 esté encendido. ❷ Verifique que el cable de energía de +12 V, el cable a tierra y el/los fusible(s) tengan energía y estén correctamente conectados.

¿Salida baja o sin salida? ❶ Compruebe los controles de balance/atenuador en el KMC5. ❷ Verifique las conexiones de salida del altavoz. ❸ Reinicie el KMC5. ❹ Verifique el volumen de la fuente de audio.

¿Volumen reducido? Revierta la conexión del altavoz de positivo a negativo en el/los canal(es) estéreo; si el volumen mejora, el altavoz estaba fuera de fase.

¿Los botones o el dispositivo no responden? Vuelva a la configuración de fábrica.

Configuración de fábrica: Restablezca el KMC5 a las configuraciones predeterminadas de fábrica manteniendo presionado el botón **PLAY/PAUSE** (Reproducir/Pausar) por diez segundos.

¿No se sintonizan estaciones de radio? Verifique que la antena esté conectada correctamente y asegúrese de que la configuración de **Sintonizador** del menú tenga la región correcta.

Si tiene más preguntas sobre la instalación o el funcionamiento de su nuevo producto KICKER, consulte al distribuidor de KICKER autorizado donde lo adquirió. Envíe un correo electrónico a support@kicker.com o llame al Servicio Técnico al (405) 624-8583 si tiene preguntas específicas o si no ha recibido recibido respuestas a sus preguntas.

CARACTÉRISTIQUES

Modèle	KMC5
Puissance de sortie à 14,4 V, stéréo 2 Ω, < 10 % THD+N	40 W x 6
Puissance de sortie à 14,4 V, stéréo 4 Ω, < 10 % THD+N	25 W x 6
Réponse en fréquence [Hz]	20 – 20k
Rapport signal sur bruit [dB]	100
Sorties pré-amplifiées	Avant, Arrière, Graves, Zone2
Sensibilité d'entrée	Réglable 500 mV–1,5 V
Lecture par liaison USB	MP3/WMA/FLAC/WAV
Recharge par liaison USB	CC 5 V, 1 A
Système de fichiers compatible USB	FAT32
Classe IP	IP66
Niveau de sortie [V]	4
Dimensions externes [po., cm]	3,5 x 5,5, 8,89 x 13,97
Saillie par rapport à la surface de montage [po., cm]	1-5/16, 3,33
Profondeur totale du montage [po ; cm]	5 ; 12,7
Diamètre du trou de montage [po ; cm]	3, 7,62

Revendeur KICKER agréé : _____

Date d'achat : _____

Numéro de série : _____

Faites attention à ne pas percer des trous à travers le câblage ou les mécanismes du véhicule. Vous êtes le seul responsable de l'installation du centre multimédia KMC5. Consultez les pages 2 et 3 pour le patron de découpe du trou de fixation.

Avant l'installation, vous devriez planifier le placement des entrées USB et auxiliaire, ainsi que des télécommandes KRC12 et KRC15, disponibles en option (vendues séparément), pour optimiser la facilité d'emploi et l'esthétique !

Un amplificateur KICKER KXM, une paire de haut-parleurs KICKER KM et quelques câbles KICKER, et vous disposez d'une mise à niveau complète du système qui va dominer ! Les amplificateurs et accessoires KICKER permettent une mise à niveau en un rien de temps. Renseignez-vous auprès de votre revendeur sur les mises à niveau d'amplificateurs et de haut-parleurs KICKER pour compléter votre système !

Tous les chiffres relatifs aux spécifications et aux performances sont susceptibles de changer. Veuillez consulter le site **www.kicker.com** pour obtenir les informations les plus récentes.

AVERTISSEMENT : Les haut-parleurs KICKER ont la capacité de produire des niveaux sonores pouvant endommager l'ouïe de façon irréversible ! L'augmentation du volume d'un système jusqu'à un niveau présentant une distorsion audible endommage davantage l'ouïe que l'écoute d'un système sans distorsion au même volume. Le seuil de la douleur est toujours le signe que le niveau sonore est trop élevé et risque d'endommager l'ouïe de façon irréversible. Réglez le volume en faisant preuve de bon sens.

PRÉSENTATION

- Marche/arrêt (appuyer longuement)
- Changement de source d'entrée (appuyer brièvement)

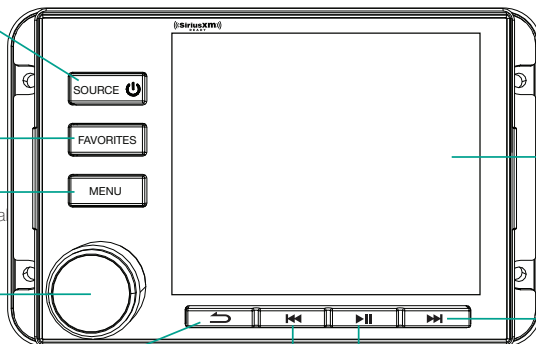
- Enregistrer/sélectionner les préréglages préférés

- Accéder au menu audio (appuyer brièvement)
- Accéder au menu principal (appuyer longuement)

- Changement de volume/valeur/sélection
- Confirmer/sélectionner (appuyer)

- Retour/précédent

Si la tension de la batterie est faible (<+10,5 V), un message d'avertissement s'affichera à l'écran. Rechargez la batterie pour ne pas vous retrouver bloqué.



- Affichage numérique

- Recherche
- Piste suivante/avance rapide
- Changer le tuner

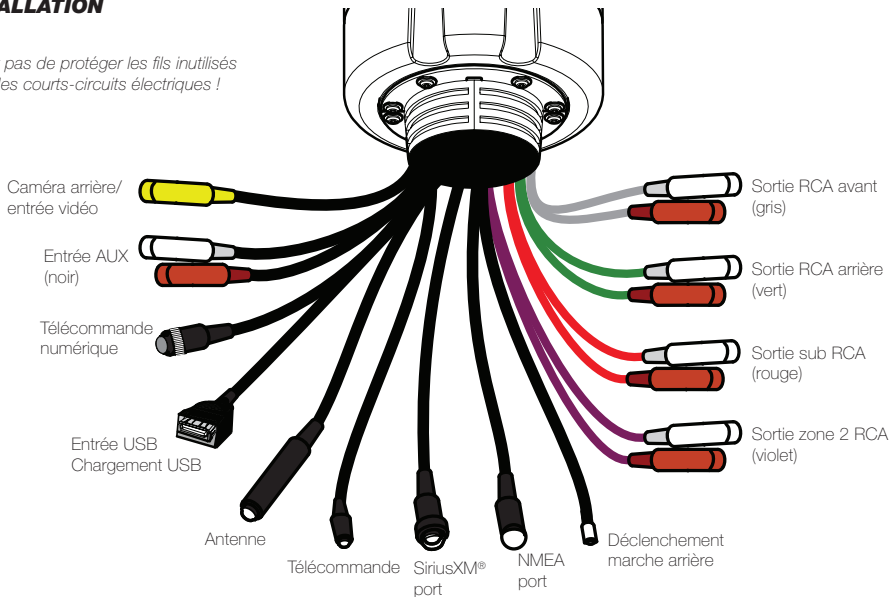
- Lecture/pause
- mode muet

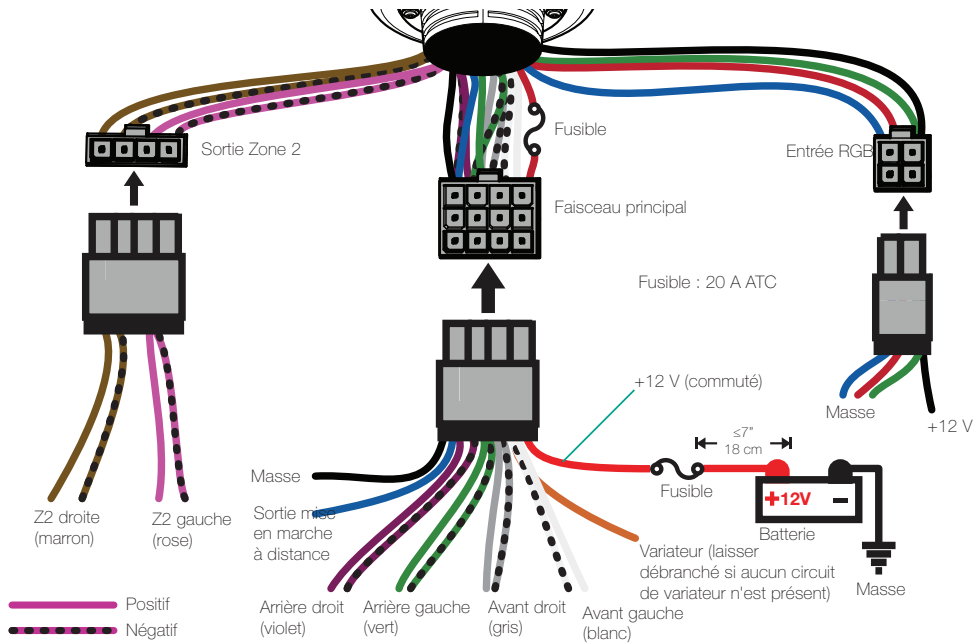
- Recherche
- Piste précédente/revenir en arrière
- Changer le tuner

REMARQUE : appuyer de façon rapide ou prolongée pour utiliser. Certaines sources d'entrée ne prennent pas en charge toutes les fonctions.

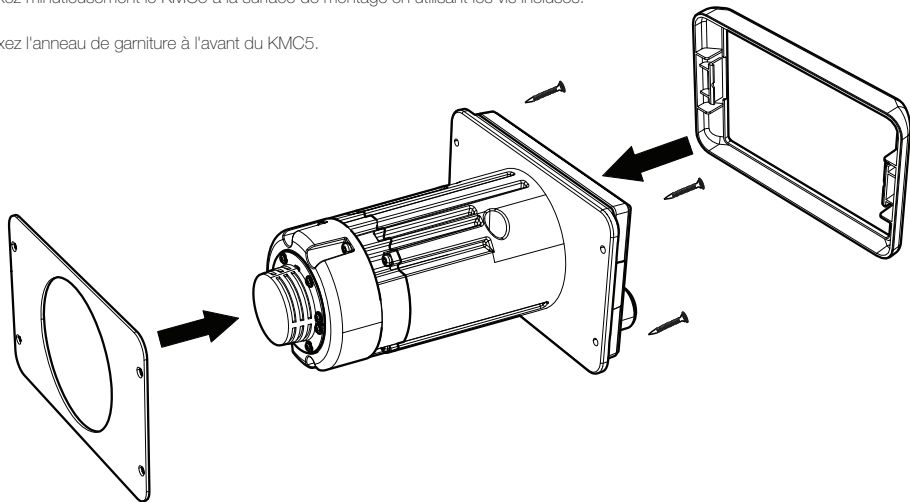
INSTALLATION

*N'oubliez pas de protéger les fils inutilisés
et évitez les courts-circuits électriques !*





1. Retirez le ruban adhésif du joint arrière et fixez-le à l'arrière du KMC5.
2. Fixez minutieusement le KMC5 à la surface de montage en utilisant les vis incluses.
3. Fixez l'anneau de garniture à l'avant du KMC5.



UTILISATION

Lecture

Utilisez la touche **SOURCE** pour accéder au menu de la source. Utilisez la molette pour choisir la source d'entrée pour le KMC5 : Bluetooth, USB, AUX, AM, FM, WX et SiriusXM.

Le KMC5 entre automatiquement en mode d'appariement Bluetooth lorsqu'il n'y a pas de connexion Bluetooth, et affiche le message « In Pairing Mode ». Pour accéder au mode d'appariement manuellement, choisissez l'entrée Bluetooth puis appuyez sur la touche MENU. Cela vous permettra d'accéder au menu Bluetooth. Sélectionnez ENTER PAIRING MODE pour débiter l'appariement. Lorsque vous commencez à scanner avec votre appareil audio pour trouver des périphériques, le KMC5 s'affiche sous la forme « Media Center ». Les options du menu Bluetooth incluent :

Sélectionner le dispositif – afficher tous les dispositifs reliés et en sélectionner un pour la lecture

Déconnecter le dispositif actuel – déconnecte le dispositif en cours et connecte le suivant dans la liste

Supprimer un dispositif relié de la liste

Supprimer tous les dispositifs – supprime tous les dispositifs Bluetooth enregistrés et passe en mode appairage

Lorsqu'une entrée radio est sélectionnée, appuyez sur les touches de recherche pour rechercher des stations de radio avec une force de signal adéquate. Pour rechercher des stations manuellement, maintenez enfoncés les boutons pendant 2 secondes puis appuyez une fois pour changer de fréquence. Utilisez la touche **MENU** sur la bande WX pour activer/désactiver les alertes automatiques pour les messages d'alerte météo. Cela interrompra la lecture pour les alertes et messages d'urgence.

Configurez des prééglages pour vos stations AM, FM, XM, et WX préférées, en sélectionnant la station, en appuyant sur la touche **FAVORITES**, en sélectionnant le numéro favori (1–16) que vous souhaitez enregistrer puis en maintenant enfoncée la **MOLETTE DE VOLUME** pendant 2 secondes.

La source d'entrée USB est disponible uniquement lorsqu'un périphérique USB est connecté. Le KMC5 passe automatiquement en mode d'entrée USB lorsqu'un périphérique USB est connecté et détecté. KICKER recommande les disques SANDISK pour obtenir une performance optimale. Les disques doivent être formatés au système de fichiers FAT32. Les hubs USB ne sont pas compatibles. Les fichiers à débit binaire élevé (320 kbps) pourront rencontrer des erreurs. Dans des essais, le KMC5 a montré qu'il fonctionnait avec certains disques durs et d'autres systèmes de fichiers, toutefois, cela n'est pas pris en charge par Kicker ! Les options du menu USB incluent :

Naviguer - Naviguer dans les fichiers et dossiers avec la molette pour faire défiler et des pistes sélectionnées.

Répéter - Activer/désactiver la fonction Répétition pour la liste de lecture en cours ou toutes les pistes

Aléatoire - Activer/désactiver la fonction Aléatoire pour la liste de lecture en cours ou toutes les pistes

DME - digital music enhancer améliore la qualité sonore des de fichiers audio compressés.

L'entrée caméra et vidéo peut être utilisée pour connecter une caméra externe ou une source vidéo au KMC5. Le câble de déclenchement de marche arrière (+12 v) activera automatiquement la caméra lorsque le véhicule est en marche arrière. Afin d'activer/désactiver manuellement l'entrée vidéo, appuyez sur la touche **FAVORITES** et maintenez-la enfoncée.

Paramètres du dispositif

Appuyez sur la touche **MENU** pour accéder aux paramètres audio pour une source d'entrée sélectionnée. Maintenez la touche **MENU** enfoncée pendant 2 secondes pour accéder au menu des paramètres du dispositif. Les paramètres de dispositif disponibles sont les suivants : Loud, Area, Beep, Zone2, Z2VOL, HPF et Dimmer. Utilisez la **MOLETTE VOLUME** pour modifier chaque paramètre parmi les valeurs possibles.

Loudness – Sélectionnez On ou Off pour activer ou non l'amplification des fréquences basses

Tuner - Choisissez États-Unis ou Europe

BEEP – Choisissez si le KMC5 doit répondre en faisant des bips

Zone 2 - active/désactive la commande de volume de la Zone 2.

Zone 2 Control - Vous permet de sélectionner quelle connexion est contrôlée par le volume de la Zone 2 :

Internal Power : les canaux de la Zone 2 sont contrôlés par le volume de la Zone 2. Zone 2 RCA est contrôlé par le volume de la Zone 1.

Preamp : Zone 2 RCA est contrôlé par le volume de la Zone 1. Les canaux internes de la Zone 2 sont contrôlés par le volume de la Zone 1.

Both : les canaux de la Zone 2 et RCA Zone 2 sont contrôlés par le volume de la Zone 2.

Z2VOL - modifier le comportement du contrôle de volume de la Zone 2 :

Relative : le volume de la Zone 2 est verrouillé au volume principal.

Absolute : le volume de la Zone 2 est réglé indépendamment du volume principal

Naming - changer le nom de la Zone 2 : Zone 2, Tower, Transom, Cockpit, Interior

HPF - filtre passe-haut : OFF, 50Hz, 80Hz, 120Hz

Dimmer - règle la luminosité de l'écran et des touches : 0-12

Day/Night - change les couleurs entre le mode jour et le mode nuit.

Low Battery Alert - active/désactive l'alerte de faible batterie. Lorsque le réglage est effectué sur

Le KMC5 basculera automatiquement lorsque les phares sont allumés (le câble d'illumination orange doit être connecté).

Activé, le KMC5 activera une alerte visuelle et audio lorsque la tension chute en dessous de +10,5 V indiquant que la batterie doit être chargée.

Paramètres audio

Maintenez la touche **MENU** enfoncée pendant 2 secondes depuis un écran source pour accéder au menu des paramètres audio. Appuyez sur la touche MENU pour accéder aux paramètres audio. Les paramètres audio disponibles sont : Bass, Treble, Balance, Fader et EQ. Utilisez la **MOLETTE VOLUME** pour modifier chaque paramètre parmi les valeurs possibles.

Sub - ajuste le niveau de subwoofer de 0 à +12

Bass - ajuste le niveau des graves de -6 à +6

Mid - ajuste le niveau intermédiaire de -6 à +6

Treble - ajuste le niveau des aigus de -6 à +6

Balance - ajuste la balance de Gauche 6 à Droite 6

Fader - ajuste l'atténuateur de Avant 6 à Arrière 6

EQ - choisir parmi les préséglages de l'égaliseur :OFF, ROCK, POP, JAZZ et CUSTOM

Lorsque Custom EQ est sélectionné, appuyez sur la touche **MENU** pour accéder aux ajustements de fréquence personnalisés de 50 Hz, 125 Hz, 250 Hz, 500 Hz, 1 kHz, 3 kHz et 8 kHz. Pour régler manuellement les fonctions Bass, Mid et Treble, EQ doit être réglé sur **OFF**.

SiriusXM

Après avoir installé votre SiriusXM Connect Tuner et l'antenne, activez le KMC5 et sélectionnez SiriusXM comme source d'entrée. Le canal 1, le canal de prévisualisation de SiriusXM, devrait être audible. Si ce n'est pas le cas, veuillez consulter les instructions d'installation de votre SiriusXM Connect Tuner. Si le canal de prévisualisation fonctionne, connectez-vous au canal 0 pour trouver l'identifiant radio de votre tuner ou bien localisez l'identifiant radio en bas du SiriusXM Connect Tuner.

Aux États-Unis, vous pouvez procéder à l'activation en ligne ou en appelant SiriusXM Listener care :

Visitez le site www.siriusxm.com/activatenow

Appelez SiriusXM Listener Care en composant le 1-866-635-2349

Pour les abonnements au Canada, veuillez contacter :

Visitez le site www.siriusxm.ca/activatexm

Appelez XM customer Care en composant le 1-877-438-9677

Lorsque le KMC5 détecte que le SiriusXM Connect Tuner est activé, il affiche « Subscription Updated ». Le processus d'activation peut prendre jusqu'à une heure. Le KMC5 doit être alimenté et recevoir le signal SiriusXM pour recevoir le message d'activation.

Appuyez sur la touche **MENU** en mode d'entrée SiriusXM pour accéder au menu SiriusXM.

Channel Browse - naviguer parmi les canaux SiriusXM

Category Browse - naviguer parmi les catégories SiriusXM pour les canaux concernés

Direct Tuning - accéder manuellement au canal SiriusXM

Parental Controls - supprimer l'accès à certains canaux

Information - affiche l'identifiant radio SiriusXM

Reset - réinitialise les paramètres SiriusXM du KMC5 à leur valeur par défaut.

Lorsque vous choisissez d'activer le contrôle parental pour la première fois, on vous demandera de saisir un code à 4 chiffres. (Le code par défaut est **0000**)

Manage Password - modifier/réinitialiser le code actuel

Disable Parental Controls - supprimer toutes les restrictions de canaux

GUIDE DE DÉPANNAGE

SiriusXM

Vérifiez l'antenne : la radio a détecté une défaillance concernant l'antenne SiriusXM. Le câble de l'antenne est peut-être déconnecté ou endommagé. Vérifiez que le câble de l'antenne est connecté au SiriusXM Connect Tuner.- Inspectez le câble de l'antenne pour vérifier qu'il ne comporte ni dégâts, ni entailles. Remplacez l'antenne si le câble est endommagé. Les produits SiriusXM sont disponibles chez votre détaillant local ou en ligne à l'adresse www.shop.siriusxm.com

Vérifiez le tuner : la radio rencontre des difficultés pour communiquer avec le SiriusXM Connect Tuner.- Le tuner est peut-être déconnecté ou endommagé.- Vérifiez que le câble du SiriusXM Connect Tuner est bien connecté à la radio.

Abonnement mis à jour : la radio a détecté un changement dans votre statut d'abonnement SiriusXM. Appuyez sur le bouton (8) pour effacer le message. Consultez le site www.siriusxm.com ou composez le 866-635-2349 si vous avez des questions sur votre abonnement.

Pas de signal : le SiriusXM Connect Tuner rencontre des difficultés pour recevoir le signal satellite SiriusXM.- Vérifiez que votre véhicule est situé en extérieur avec une vision claire du ciel.- Vérifiez que l'antenne SiriusXM est montée à l'extérieur du véhicule.- Éloignez l'antenne SiriusXM de toute obstruction.- Inspectez le câble de l'antenne pour vérifier l'absence de dégâts et entailles.- Consultez le manuel d'installation du SiriusXM Connect Tuner pour plus d'informations sur l'installation de l'antenne. Remplacez l'antenne si le câble est endommagé. Les produits SiriusXM sont disponibles chez votre détaillant local ou en ligne à l'adresse www.shop.siriusxm.com

Canal indisponible : le canal que vous avez demandé n'est pas un canal SiriusXM valide ou le canal que vous écoutiez n'est plus disponible. Vous pouvez aussi voir ce message brièvement lors de la première connexion d'un nouveau SiriusXM Connect Tuner.- Rendez-vous sur www.siriusxm.com pour plus d'informations sur la gamme de canaux SiriusXM.

Canal non souscrit : le canal que vous avez demandé n'est pas inclus dans votre formule d'abonnement SiriusXM ou le canal que vous écoutez n'est plus inclus dans votre formule d'abonnement SiriusXM. - Consultez le site www.siriusxm.com ou composez le 866-635-2349 si vous avez des questions sur votre formule d'abonnement ou si vous souhaitez vous abonner à ce canal

Canal verrouillé : le canal que vous avez demandé est verrouillé par la fonction de Contrôle parental radio. Consultez la page 10 pour plus d'informations sur la fonction de Contrôle parental et savoir comment accéder aux canaux verrouillés. Le code par défaut est 0000.

Si votre KMC5 ne fonctionne apparemment pas, commencez par vérifier les choses triviales, comme les fusibles, si les connexions de câblage sont correctement effectuées, etc. Si vous utilisez un amplificateur, vérifiez que les commutateurs du filtre passif et les commandes de gain sont correctement configurés, etc.

Pas d'alimentation ? ❶ Appuyez sur la touche SOURCE/POWER et vérifiez que le KMC5 est bien activé. ❷ Vérifiez le câble d'alimentation +12 V, le câble de mise à la terre et le(s) fusible(s) pour contrôler l'alimentation et la connexion.

Pas de sortie ou sortie faible ? ❶ Vérifiez les commandes de balance/atténuateur sur le KMC5. ❷ Vérifiez les connexions de sortie des enceintes. ❸ Mettez le KMC5 sous tension. ❹ Vérifiez le volume de la source audio.

Volume réduit ? Inversez le positif et le négatif de la connexion du haut-parleur fautive sur les canaux stéréo. Si le volume s'améliore, c'est que le haut-parleur était déphasé.

Les touches/le dispositif ne réagissent pas ? Effectuez une réinitialisation des paramètres d'usine.

Réinitialisation aux paramètres d'usine : Réinitialisez le KMC5 aux paramètres d'usine par défaut en appuyant et en maintenant enfoncée la touche **PLAY/PAUSE** pendant 10 secondes.

Pas de réception des stations radio ? Vérifiez que l'antenne soit bien connectée et assurez-vous que le paramètre **Tuner** dans le menu soit réglé sur la région adaptée.

Pour toute autre question concernant l'installation ou sur l'utilisation de votre nouveau produit KICKER, consultez le revendeur KICKER agréé auprès duquel vous avez effectué votre achat. Envoyez un e-mail à support@kicker.com ou appelez les services techniques au +1 405-624-8583 pour toute question spécifique ou sans réponse.

SPEZIFIKATIONEN

Modell	KMC5
Ausgangsleistung bei 14,4 V, 2 Ω Stereo, <10 % THD+N	40 W x 6
Ausgangsleistung bei 14,4 V, 4 Ω Stereo, <10 % THD+N	25 W x 6
Frequenzgang [Hz]	20 - 20 k
Signal-Rausch-Abstand [dB]	100
Pre-Amp-Ausgänge	vorne, hinten, Sub, Zone2
Eingangsempfindlichkeit	Verstellbar: 500 mV – 1,5 V
USB-Wiedergabe	MP3/WMA/FLAC/WAV
USB-Ladekabel	DC 5 V, 1 A
USB-kompatibles Dateisystem	FAT32
IP-Klasse	IP66
Line-Out-Pegel [V]	4
Abmessungen Außenkante [in, cm]	3,5 x 5,5, 8,89 x 13,97
Überstand von Einbaufäche [in, cm]	1-5/16, 3,33
Gesamteinbautiefe [in, cm]	5, 12,7
Einbaudurchmesser [in; cm]	3, 7,62

KICKER-Vertragshändler: _____

Kaufdatum: _____

Seriennummer: _____

Achten Sie darauf, nicht in die Verkabelung oder den Mechanismus des Fahrzeugs zu bohren. Der Einbau des KMC5 Media Center unterliegt allein Ihrer Verantwortung. Auf S. 2 - 3 finden Sie eine Schablone für die Einbauöffnung.

Für eine einfachere Installation und ein optimales Aussehen raten wir Ihnen, vor dem Einbau die Anordnung von USB- und AUX-Eingängen sowie der optionalen KRC12- und KRC15-Fernbedienung (separat erhältlich) zu planen.

Mit einem KICKER KXM Verstärker, einem Paar KICKER KM Lautsprechern und den passenden KICKER Kabeln erhalten Sie ein unschlagbares Upgrade für Ihr System! Mit KICKER Verstärkern und Zubehör wird das Upgrade zum Kinderspiel. Fragen Sie Ihren Händler nach KICKER Verstärker- und Lautsprecher-Upgrades, um Ihr System abzurunden!

Änderungen der technischen Daten und Leistungswerte vorbehalten. Bitte besuchen Sie unsere Webseite unter **www.kicker.com**, um die aktuellsten Informationen zu erhalten.

WARNUNG: KICKER Produkte können einen Schalldruckpegel erzeugen, der zu permanenten Gehörschäden führen kann! Wenn Sie das System so weit aufdrehen, dass eine hörbare Verzerrung eintritt, schädigen Sie Ihre Ohren mehr, als wenn Sie bei gleicher Lautstärke einem unverzerrten System zuhören. Sollten Sie beim Zuhören Schmerzen empfinden, deutet dies darauf hin, dass die Lautstärke zu hoch ist und Sie Ihr Gehör nachhaltig schädigen könnten. Bitte verlassen Sie sich bei der Einstellung der Lautstärke auf Ihren gesunden Menschenverstand.

ÜBERSICHT

Bei niedriger Batteriespannung ($< +10,5\text{ V}$) wird auf dem Bildschirm eine Meldung angezeigt. Durch das Aufladen des Akkus können Blockaden und Aussetzer vermieden werden.

- An/Aus (lange drücken)
- Eingangsquelle ändern (kurz drücken)

- Einstellungen als Favoriten speichern/auswählen
- Audiomenü aufrufen (kurz drücken)
- Hauptmenü aufrufen (lange drücken)

- Lautstärke/Wert/Auswahl ändern
- bestätigen/auswählen (drücken)

•zurück/vorherige

SOURCE

FAVORITES

MENU

SIRIUS XM

•Digitales Display

- Suche
- nächster Track/schneller Vorlauf
- Tuner ändern

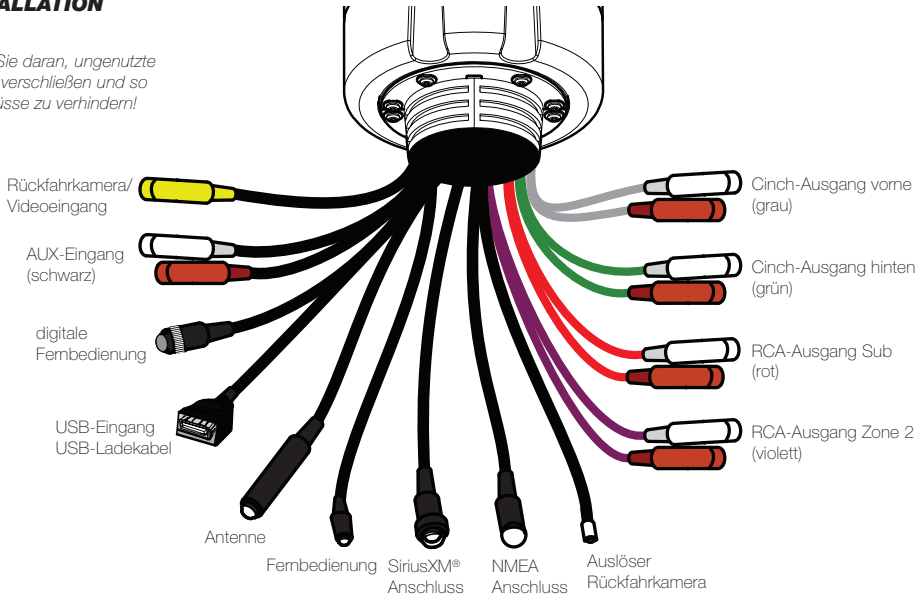
- Start/Pause
- Stummschaltung

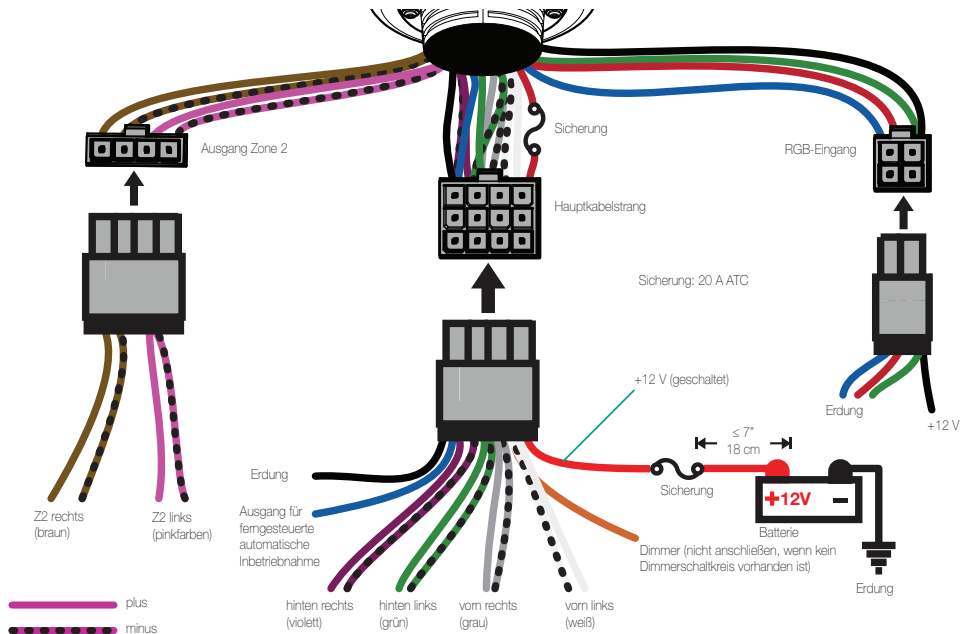
- Suche
- vorheriger Track/schneller Rücklauf
- Tuner ändern

*HINWEIS: Betrieb mit kurzem und längerem Tastendruck.
Bestimmte Eingangsquellen unterstützen nicht alle Funktionen.*

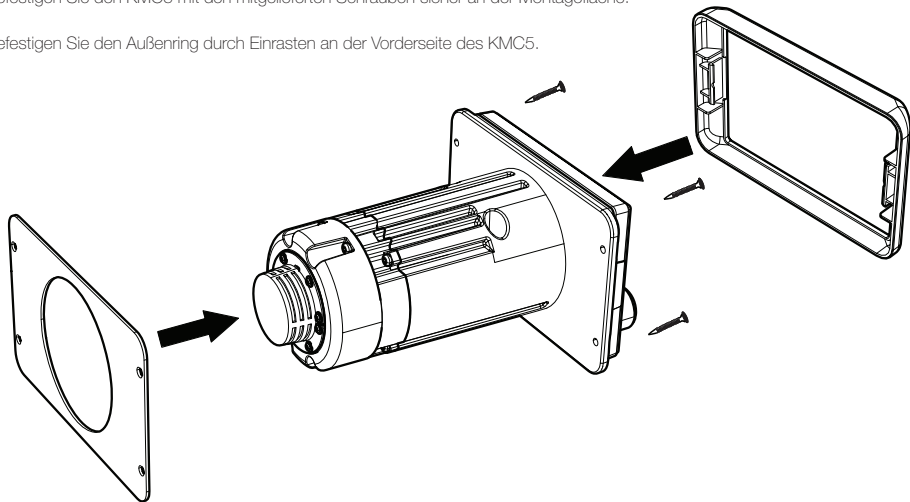
INSTALLATION

Denken Sie daran, ungenutzte Kabel zu verschließen und so Kurzschlüsse zu verhindern!





- 1.** Entfernen Sie den Kleber von der hinteren Dichtung und bringen Sie diese auf der Rückseite des KMC5 an.
- 2.** Befestigen Sie den KMC5 mit den mitgelieferten Schrauben sicher an der Montagefläche.
- 3.** Befestigen Sie den Außenring durch Einrasten an der Vorderseite des KMC5.



BETRIEB

Wiedergabe

Nutzen Sie die Taste **SOURCE**, um auf das Quellmenü zuzugreifen. Nutzen Sie den Regler, um die Eingangsquelle für den KMC5 zu wählen: Bluetooth, USB, AUX, AM, FM, WX und SiriusXM.

Sollte keine Bluetooth-Verbindung verfügbar sein, so schaltet der KMC5 automatisch in den Bluetooth-Pairing-Modus und das Display meldet „In Pairing Mode“. Um manuell zum Pairing-Modus zu wechseln, wählen Sie Bluetooth als Eingangsquelle und drücken Sie dann die MENU-Taste. Dadurch wird das Bluetooth-Menü aufgerufen. Wählen Sie „ENTER PAIRING MODE“ (PAIRING-MODUS STARTEN), um den Kopplungsvorgang zu starten. Sollten Sie auf Ihrem Audiogerät nach anderen Geräten suchen, so erscheint der KMC5 dort als „Media Center“. Die Optionen des Bluetooth-Menüs sind:

Select Device – sehen Sie sich alle gekoppelten Geräte an und wählen Sie eines aus stellt zwecks Wiedergabe

Disconnect Current Device – unterbricht die Verbindung zum aktuellen Gerät und eine Verbindung zum nächsten Gerät auf der Liste her

Delete Device – gekoppeltes Gerät aus der Liste löschen

Delete All Devices – löscht alle gespeicherten Bluetooth-Geräte und startet den Pairing-Modus

Wenn der Radioempfang ausgewählt wurde, drücken Sie die Suchtasten, um Radiosender mit entsprechender Signalstärke zu suchen. Um Radiosender manuell einzustellen, drücken und halten Sie die Suchtasten zwei Sekunden lang und drücken Sie sie dann erneut, um die Frequenz zu ändern. Nutzen Sie im WX-Frequenzband die **MENU**-Taste, um automatische Benachrichtigungen für Weatherband-Warnungen EIN- bzw. AUSZUSCHALTEN. So wird die Wiedergabe für Notfallalarne und Warnungen unterbrochen.

Stellen Sie Favoriten für Ihre Lieblingssender auf den Frequenzbändern AM, FM, XM und WX ein, indem Sie den Sender auswählen, die Taste **FAVORITES** drücken, die Ziffer für den Favoriten, den Sie einstellen wollen, wählen (1 – 16) und den **LAUTSTÄRKEREGLER** zwei Sekunden lang gedrückt halten.

Der USB-Eingang steht nur dann als Eingangsquelle zur Verfügung, wenn ein USB-Gerät angeschlossen ist. Wenn ein USB-Gerät angeschlossen wird, schaltet der KMC5 automatisch auf USB-Eingang. Für die beste Leistung empfiehlt KICKER SANDISK-Speichermedien. Speichermedien müssen als FAT16-Dateisystem formatiert sein. USB-Hubs sind nicht kompatibel. Bei Dateien mit hohen Datenraten (320 kbps) können Fehler auftreten. In Tests funktionierte der KMC5 auch mit verschiedenen Festplattenlaufwerken und anderen Dateisystemen; dies wird allerdings von KICKER nicht unterstützt! Die Optionen des USB-Menüs sind:

*Browse – Durchsuchen aller Dateien und Verzeichnisse, dabei wird mittels Regler gescrollt
aktuelle Playlist oder alle Tracks und Auswahl der Tracks*

Repeat – EIN-/AUSCHALTEN der Wiederholung für die

Shuffle – EIN-/AUSSCHALTEN der Shuffle-Funktion für die aktuelle Playlist für alle Tracks

DME – der digitale Musikverstärker steigert die Tonqualität komprimierter Audiodateien

Der Kamera- und Videoeingang kann verwendet werden, um eine externe Kamera oder Videoquelle an den KMC5 anzuschließen. Der Auslöser für die Rückfahrkamera (+12 V) aktiviert die Kamera automatisch, wenn der Rückwärtsgang eingelegt wird. Um den Videoeingang manuell zu aktivieren/zu deaktivieren, drücken und halten Sie die Taste **FAVORITES**.

Geräteeinstellungen

Drücken Sie die Taste **MENU**, um die Audioeinstellungen für die gewählte Eingangsquelle einzugeben. Drücken Sie die Taste **MENU** zwei Sekunden lang, um das Menü der Geräteeinstellungen aufzurufen. Die verfügbaren Geräteeinstellungen sind: Loud, Area, Beep, Zone2, Z2VOL, HPF und Dimmer. Verwenden Sie den **LAUTSTÄRKEREGLER**, um die Werte der jeweiligen Einstellung zu ändern.

Loudness – schaltet eine Verstärkung der niedrigen Frequenzen an oder aus

Tuner – wählen Sie USA oder Europe

BEEP – legt fest, ob der KMC5 mit einem Piepton reagiert

Zone 2 – schaltet den Lautstärkereglern für Zone 2 ein/aus

Zone 2 Control – ermöglicht es Ihnen auszuwählen, welche Verbindung durch die Lautstärkeregelung für Zone 2 gesteuert wird:

*Internal Power: Die Kanäle der Zone 2 werden über die Lautstärkeregelung für Zone 2 gesteuert. Der Zone 2-Ausgang wird über die Lautstärkeregelung für Zone 1 gesteuert.
Preamp: Der Zone 2-Ausgang wird über die Lautstärkeregelung für Zone 2 gesteuert. Die internen Kanäle der Zone 2 werden über die Lautstärkeregelung für Zone 1 gesteuert.
Beides: Sowohl die Kanäle der Zone 2 als auch der Zone 2-Ausgang werden über die Lautstärkeregelung für Zone 2 gesteuert.*

Z2VOL – ändert das Verhalten der Lautstärkeregelung für Zone 2:

Relative: Die Lautstärke für Zone 2 ist an die Hauptlautstärke gekoppelt.

Absolute: Die Lautstärke für Zone 2 wird unabhängig von der Hauptlautstärke geregelt.

Naming – Ändern der Bezeichnung für Zone 2: Zone 2, Tower, Transom, Cockpit, Interior

HPF – Hi-Pass-Crossover: OFF, 50 Hz, 80 Hz, 120 Hz

Dimmer c Einstellen der Helligkeit von Bildschirm und Tastenbeleuchtung: 0 - 12

*Day/Night – Verändern des Farbschemas vom Tagmodus
Batteriespannung: Bei Einstellung auf Nachtmodus. Der KMC5 wechselt automatisch, wenn die Beleuchtung eingeschaltet wird
(der orangefarbene Beleuchtungsdraht muss angeschlossen sein).*

*Low Battery Alert – EIN-/AUSSCHALTEN der Warnung zur niedrigen zum Nachtmodus
EIN aktiviert der KMC5 eine visuelle und Audionachricht, wenn die Spannung unter +10,5 V fällt, was bedeutet, dass die Batterie geladen werden muss.*

Audioeinstellungen

Drücken Sie die Taste **MENU** auf dem Bildschirm einer Eingangsquelle zwei Sekunden lang, um das Menü der Audioeinstellungen aufzurufen. Drücken Sie die Taste **MENU**, um die Audioeinstellung einzugeben. Die verfügbaren Audioeinstellungen sind: Bass, Treble, Balance, Fader und EQ. Verwenden Sie den **LAUTSTÄRKEREGLER**, um die Werte der jeweiligen Einstellung zu ändern.

Sub – Einstellen des Subwoofer-Levels von 0 - +12

Bass – Einstellen des Bass-Levels von -6 - +6

Mid – Einstellen des Mid-Levels von -6 - +6

Treble – Einstellen des Treble-Levels von -6 - +6

Balance – Einstellen der Balance von Links 6 bis Rechts 6

Fader v Einstellen des Faders von Vorne 6 bis Hinten 6

EQ – Auswahl zwischen den EQ-Voreinstellungen: OFF, ROCK, POP, JAZZ und CUSTOM

Wenn Custom EQ ausgewählt wurde, drücken Sie die Taste **MENU**, um die eigenen Änderungen der Frequenz für 50 Hz, 125 Hz, 250 Hz, 500 Hz, 1 kHz, 3 kHz und 8 kHz vorzunehmen. Damit Bass, Mid und Treble manuell eingestellt werden können, muss EQ **AUSGESCHALTET** sein.

SiriusXM

Schalten Sie nach dem Installieren Ihres SiriusXM Connect Tuners und der Antenne den KMC5 ein und wählen Sie SiriusXM als Eingangsquelle. Channel 1, der Vorschaukanal von SiriusXM, sollte zu hören sein. Ist dies nicht der Fall, lesen Sie bitte in der Installationsanleitung für Ihren SiriusXM Connect Tuner nach. Wenn der Vorschaukanal funktioniert, schalten Sie bitte auf Channel 0, um die Radio ID Ihres Tuners zu erfahren, oder sehen Sie auf dem Unterteil des SiriusXM Connect Tuners nach.

In den USA können Sie die Aktivierung online oder durch einen Anruf bei SiriusXM Listener durchführen:

Besuchen Sie www.siriusxm.com/activatenow

Rufen Sie SiriusXM Listener Care an: 1-866-635-2349

Bei Abonnements in Kanada wenden Sie sich bitte an:

Besuchen Sie www.siriusxm.ca/activatexm

Rufen Sie XM Customer Care an: 1-877-438-9677

Wenn der KMC5 erkennt, dass der SiriusXM Connect Tuner aktiviert wurde, wird „Subscription Updated“ angezeigt. Die Aktivierung kann bis zu einer Stunde dauern. Damit der KMC5 die Aktivierungsbenachrichtigung erhält, muss er eingeschaltet sein und das SiriusXM-Signal empfangen.

Drücken Sie im SiriusXM-Eingangsmodus die Taste **MENU**, um das SiriusXM-Menü aufzurufen.

Channel Browse – Durchsehen der SiriusXM-Kanäle

Category Browse – Durchsehen der SiriusXM-Kategorien nach relevanten Kanälen

Direct Tuning c manuelles Eingeben eines SiriusXM-Kanals

Parental Controls – Sperren des Zugriffs auf bestimmte Kanäle

*Information – Anzeigen der SiriusXM Radio ID
Werkseinstellungen*

Reset – Zurücksetzen der SiriusXM-Einstellungen des KMC5 auf die

Wenn Parental Controls zum ersten Mal aktiviert wird, werden Sie aufgefordert, eine vierstellige PIN einzugeben (die Standardeinstellung ist **0000**).

Manage Password – Ändern/Zurücksetzen der aktuellen PIN

Disable Parental Controls – Entfernen aller Sperren für Kanäle

FEHLERSUCHE

SiriusXM

Antenne prüfen: Das Radio hat einen Fehler bei der SiriusXM-Antenne festgestellt. Das Antennenkabel könnte entweder getrennt oder beschädigt sein. – Überprüfen Sie, ob das Antennenkabel mit dem SiriusXM Connect Tuner verbunden ist. – Prüfen Sie das Antennenkabel auf Beschädigungen und Knicke. Ersetzen Sie die Antenne, wenn das Kabel beschädigt ist. SiriusXM-Produkte sind bei Ihrem örtlichen Händler oder online unter www.shop.siriusxm.com erhältlich.

Tuner überprüfen: Das Radio hat Schwierigkeiten, mit dem SiriusXM Connect Tuner zu kommunizieren. – Der Tuner könnte getrennt oder beschädigt sein. – Überprüfen Sie, ob das Kabel des SiriusXM Connect Tuner sicher mit dem Radio verbunden ist.

Abonnement aktualisiert: Das Radio hat eine Änderung Ihres SiriusXM-Abonnementstatus festgestellt. Drücken Sie den Knopf (8), um die Nachricht zu löschen. Besuchen Sie www.siriusxm.com oder rufen Sie 866-635-2349 an, wenn Sie Fragen zu Ihrem Abonnement haben.

Kein Signal: Der SiriusXM Connect Tuner hat Schwierigkeiten, das SiriusXM-Satellitensignal zu empfangen. – Überprüfen Sie, ob Ihr Fahrzeug sich im Freien befindet und einen freien Blick zum Himmel hat. – Überprüfen Sie, ob die SiriusXM-Antenne außen am Fahrzeug befestigt ist. – Bewegen Sie die SiriusXM-Antenne weg von jeglichen Hindernissen. – Überprüfen Sie das Antennenkabel auf Beschädigungen und Knicke. – Lesen Sie das Installationshandbuch für den SiriusXM Connect Tuner und suchen Sie nach weiteren Informationen zur Installation der Antenne. Ersetzen Sie die Antenne, wenn das Kabel beschädigt ist. SiriusXM-Produkte sind bei Ihrem örtlichen Händler oder online unter www.shop.siriusxm.com erhältlich.

Kanal nicht verfügbar: Der von Ihnen gewünschte Kanal ist kein gültiger SiriusXM-Kanal oder der Kanal, den Sie sich gerade angehört haben, ist nicht mehr verfügbar. Diese Meldung wird möglicherweise auch kurz angezeigt, wenn Sie zum ersten Mal einen neuen SiriusXM Connect Tuner anschließen. – Weitere Informationen über die Aufstellung der SiriusXM-Kanäle finden Sie auf www.siriusxm.com.

Kanal nicht abonniert: Der von Ihnen gewünschte Kanal ist nicht in Ihrem SiriusXM-Abonnementpaket enthalten oder der Kanal, den Sie sich bisher angehört haben, ist nicht mehr in Ihrem SiriusXM-Abonnementpaket enthalten. – Besuchen Sie www.siriusxm.com oder rufen Sie 866-635-2349 an, wenn Sie Fragen zu Ihrem Abonnementpaket haben oder diesen Kanal abonnieren möchten.

Kanal gesperrt: Der von Ihnen gewünschte Kanal ist durch die Kindersicherungsfunktion des Radios gesperrt. Weitere Informationen zur Kindersicherungsfunktion und zum Zugriff auf gesperrte Kanäle finden Sie auf Seite 10. Der werksseitig eingestellte Passcode ist 0000.

Sollte Ihr KMC5 nicht funktionieren, so prüfen Sie zunächst naheliegende Gründe wie durchgebrannte Sicherungen, fehlerhafte oder falsche Kabelverbindungen usw. Sollten Sie einen Verstärker verwenden, prüfen Sie, ob ein Umschalter oder die Lautstärke usw. falsch eingestellt sind.

Kein Strom? ❶ Drücken Sie die Taste SOURCE/POWER und stellen Sie sicher, dass der KMC5 eingeschaltet ist. ❷ Prüfen Sie das +12-V-Kabel, das Erdungskabel und die Sicherung(en) auf Strom und korrekten Anschluss.

Keine oder geringe Ausgangsleistung? ❶ Prüfen Sie den Balance-/Fader-Regler des KMC5. ❷ Prüfen Sie die Ausgangsverbindungen der Lautsprecher. ❸ Schalten Sie den KMC5 aus und wieder ein. ❹ Prüfen Sie die Lautstärke der Audioquelle.

Geringe Lautstärke? Tauschen Sie bei den Lautsprecheranschlüssen die Stereokanäle von positiv gegen negativ aus; sollte sich die Lautstärke erhöhen, so war der Lautsprecher phasenverschoben.

Tasten reagieren nicht/Gerät reagiert nicht? Setzen Sie das Gerät auf die Werkseinstellungen zurück.

Standardeinstellungen zurücksetzen: Sie können den KMC5 auf die Werkseinstellungen zurücksetzen, indem Sie die Taste **PLAY/PAUSE** zehn Sekunden lang gedrückt halten.

Sie empfangen keine Radiosender? Prüfen Sie, ob die Antenne korrekt angeschlossen ist, und stellen Sie sicher, dass die **Tuner**-Einstellungen im Menü für die richtige Region gewählt wurden.

Falls Sie weitere Fragen zu Installation oder zum Betrieb Ihres neuen KICKER Produkts haben, wenden Sie sich an Ihren KICKER Vertragshändler. Bei spezifischen oder offenen Fragen senden Sie bitte eine E-Mail an support@kicker.com oder kontaktieren Sie den technischen Support telefonisch unter (405) 624-8583.

ELECTRONICS LIMITED WARRANTY

When purchased from an Authorized KICKER Dealer, KICKER warrants this product to be free from defects in material and workmanship under normal use for a period of TWO (2) YEARS from date of original purchase with receipt. If this product is identified as "Refurbished" or "B Goods", the warranty is limited to a period of THREE (3) MONTHS from the date of original purchase. In all cases you must have the original receipt. Should service be necessary under this warranty for any reason due to manufacturing defect or malfunction during the warranty period, KICKER will repair or replace (at its discretion) the defective merchandise with equivalent merchandise. Warranty replacements may have cosmetic scratches and blemishes. Discontinued products may be replaced with more current equivalent products. This warranty is valid only for the original purchaser and is not extended to owners of the product subsequent to the original purchaser. Any applicable implied warranties are limited in duration to a period of the express warranty as provided herein beginning with the date of the original purchase at retail, and no warranties, whether express or implied, shall apply to this product thereafter. Some states do not allow limitations on implied warranties; therefore, these exclusions may not apply to you. This warranty gives you specific legal rights; however you may have other rights that vary from state to state.

WHAT TO DO IF YOU NEED WARRANTY OR SERVICE:

Defective merchandise should be returned to your local Authorized Stillwater Designs (KICKER) Dealer for warranty service. Assistance in locating an Authorized Dealer can be found at www.kicker.com or by contacting Stillwater Designs directly. You can confirm that a dealer is authorized by asking to see a current authorized dealer window decal.

If it becomes necessary for you to return defective merchandise directly to Stillwater Designs (KICKER), call the KICKER Customer Service Department at (405) 624-8510 for a Return Merchandise Authorization (RMA) number. Package only the defective items in a package that will prevent shipping damage, and return to:

Stillwater Designs, 3100 North Husband St, Stillwater, OK 74075

The RMA number must be clearly marked on the outside of the package. Please return only defective components. The return of functioning items increases your return freight charges. Non-defective items will be returned freight collect to you. For example, if a subwoofer is defective, only return the defective subwoofer, not the entire enclosure. Include a copy of the original receipt with the purchase date clearly visible, and a "proof-of-purchase" statement listing the Customer's name, Dealer's name and invoice number, and product purchased. Warranty expiration on items without proof-of-purchase will be determined from the type of sale and manufacturing date code. Freight must be prepaid; items sent freight-collect, or COD, will be refused.

WHAT IS NOT COVERED?

This warranty is valid only if the product is used for the purpose for which it was designed. It does not cover:

Damage due to improper installation

Speakers damaged due to amplifier clipping or distortion

Any cost or expense related to the removal or reinstallation of product

Products returned without a Return Merchandise Authorization (RMA) number

Items previously repaired or modified by any unauthorized repair facility

Damage caused by exposure to moisture, excessive heat, chemical cleaners, and/or UV radiation

Damage through negligence, misuse, accident or abuse. Repeated returns for the same damage may be considered abuse

Freight Damage

Return shipping on non-defective items

Products with tampered or missing barcode labels

Products purchased from an UNAUTHORIZED dealer

Subsequent damage to other components

Service performed by anyone other than KICKER

Products with tampered or missing serial numbers

The cost of shipping product to KICKER



HOW LONG WILL IT TAKE?

KICKER strives to maintain a goal of one week turnaround for all electronics (amplifiers, crossovers, equalizers, etc.) returns. Delays may be incurred if lack of replacement inventory or parts is encountered. Failure to follow these steps may void your warranty. Any questions can be directed to the KICKER Customer Service Department at (405) 624-8510. Contact your International KICKER dealer or distributor concerning specific procedures for your country's warranty policies.

INTERNATIONAL WARRANTY

Contact your International Kicker dealer or distributor concerning specific procedures for your country's warranty policies.

Our goods come with guarantees that cannot be excluded under the **Australian Consumer Law**. You are entitled to a replacement or refund for a major failure and for compensation for any other reasonably foreseeable loss or damage. You are also entitled to have the goods repaired or replaced if the goods fail to be of acceptable quality and the failure does not amount to a major failure.

GARANTÍA INTERNACIONAL *Versión Español*

Comuníquese con su concesionario o distribuidor Kicker internacional para obtener información sobre procedimientos específicos relacionados con las normas de garantía de su país.

ADVERTENCIA: Los excitadores Kicker son capaces de producir niveles de sonido que pueden dañar permanentemente el oído. Subir el volumen del sistema hasta un nivel que produzca distorsión es más dañino para el oído que escuchar un sistema sin distorsión al mismo volumen. El dolor es siempre una indicación de que el sonido es muy fuerte y que puede dañar permanentemente el oído. Sea precavido cuando controle el volumen.

La frase "combustible para vivir la vida Livin' Loud™ a todo volumen" se refiere al entusiasmo por la vida que la marca Kicker de estéreos de automóvil representa y a la recomendación a nuestros clientes de que vivan lo mejor posible ("a todo volumen") en todo sentido. La línea de altavoces y amplificadores Kicker es la mejor del mercado de audio de automóviles y por lo tanto representa el "combustible" para vivir a todo volumen en el área de "estéreos de automóvil" de la vida de nuestros clientes. Recomendamos a todos nuestros clientes que obedezcan todas las reglas y reglamentos locales sobre ruido en cuanto a los niveles legales y apropiados de audición fuera del vehículo.

INTERNATIONALE GARANTIE *Deutsche Version*

Nehmen Sie mit Ihren internationalen Kicker-Fachhändler oder Vertrieb Kontakt auf, um Details über die Garantieleistungen in Ihrem Land zu erfahren.

WARNUNG: KICKER-Treiber können einen Schallpegel erzeugen, der zu permanenten Gehörschäden führen kann! Wenn Sie ein System auf einen Pegel stellen, der hörbare Verzerrungen erzeugt, schadet das Ihren Ohren mehr, als ein nicht verzerrtes System auf dem gleichen Lautstärkepegel. Die Schmerzschwelle ist immer eine Anzeige dafür, dass der Schallpegel zu laut ist und zu permanenten Gehörschäden führen kann. Seien Sie bei der Lautstärkeinstellung bitte vernünftig!

Der Slogan "Treibstoff für Livin' Loud" bezieht sich auf die mit den Kicker-Autostereosystemen assoziierte Lebensfreude und die Tatsache, dass wir unsere Kunden ermutigen, in allen Aspekten ihres Lebens nach dem Besten ("Livin' Loud") zu streben. Die Lautsprecher und Verstärker von Kicker sind auf dem Markt für Auto-Soundsysteme führend und stellen somit den "Treibstoff" für das Autostereoerlebnis unserer Kunden dar. Wir empfehlen allen unseren Kunden, sich bezüglich der zugelassenen und passenden Lautstärkepegel außerhalb des Autos an die örtlichen Lärmvorschriften zu halten.

GARANTIE INTERNATIONALE *Version Française*

Pour connaître les procédures propres à la politique de garantie de votre pays, contactez votre revendeur ou distributeur International Kicker.

AVERTISSEMENT: Les haut-parleurs Kicker ont la capacité de produire des niveaux sonores pouvant endommager l'ouïe de façon irréversible ! L'augmentation du volume d'un système jusqu'à un niveau présentant une distorsion audible endommage davantage l'ouïe que l'écoute d'un système sans distorsion au même volume. Le seuil de la douleur est toujours le signe que le niveau sonore est trop élevé et risque d'endommager l'ouïe de façon irréversible. Réglez le volume en faisant preuve de bon sens !

L'expression "carburant pour vivre plein pot" fait référence au dynamisme de la marque Kicker d'équipements audio pour véhicules et a pour but d'encourager nos clients à faire le maximum ("vivre plein pot") dans tous les aspects de leur vie. Les haut-parleurs et amplificateurs Kicker sont les meilleurs dans le domaine des équipements audio et représentent donc pour nos clients le "carburant pour vivre plein pot" dans l'aspect "installation audio de véhicule" de leur vie. Nous encourageons tous nos clients à respecter toutes les lois et réglementations locales relatives aux niveaux sonores acceptables à l'extérieur des véhicules.

